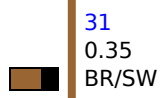
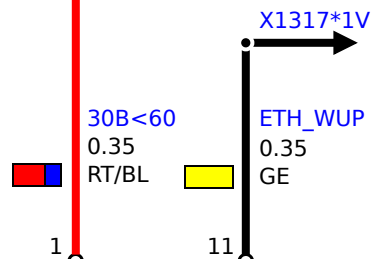
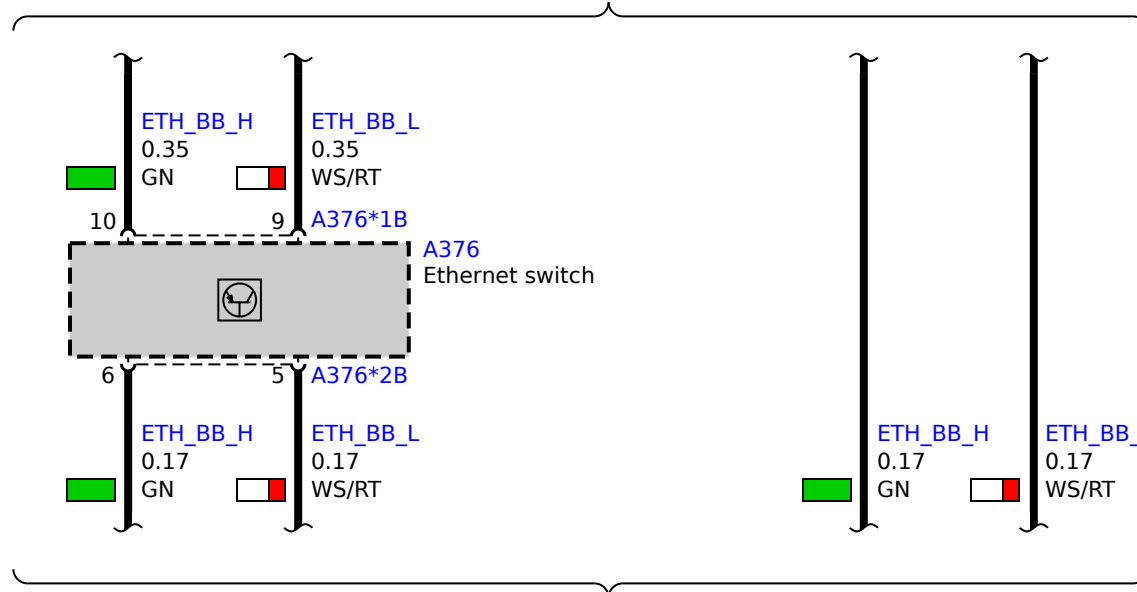


with Ethernet switch

without Ethernet switch



Z10*3B

without optional equipment system

with optional equipment system

