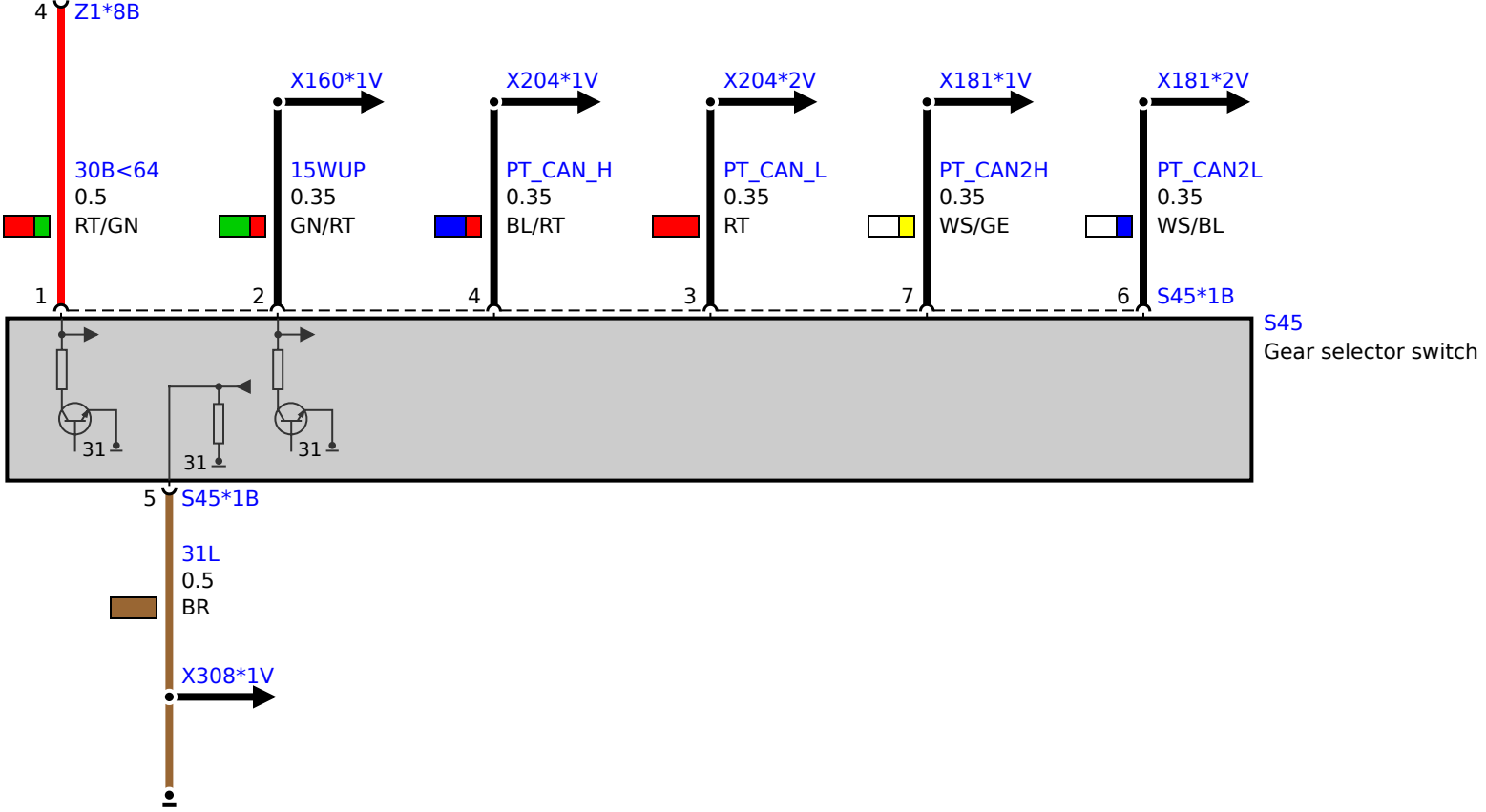
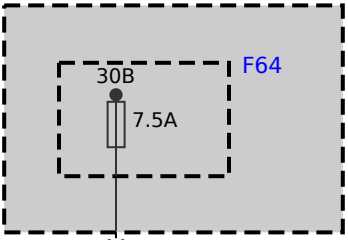


Z1
Junction box



30B<64
0.5
RT/GN

F64

7.5A

Z1*8B

X160*1V

X204*1V

X204*2V

X181*1V

X181*2V

15WUP
0.35
GN/RT

PT_CAN_H
0.35
BL/RT

PT_CAN_L
0.35
RT

PT_CAN2H
0.35
WS/GE

PT_CAN2L
0.35
WS/BL

1

2

4

3

7

6

S45*1B

S45
Gear selector switch

S45*1B

31L
0.5
BR

X308*1V

⋮