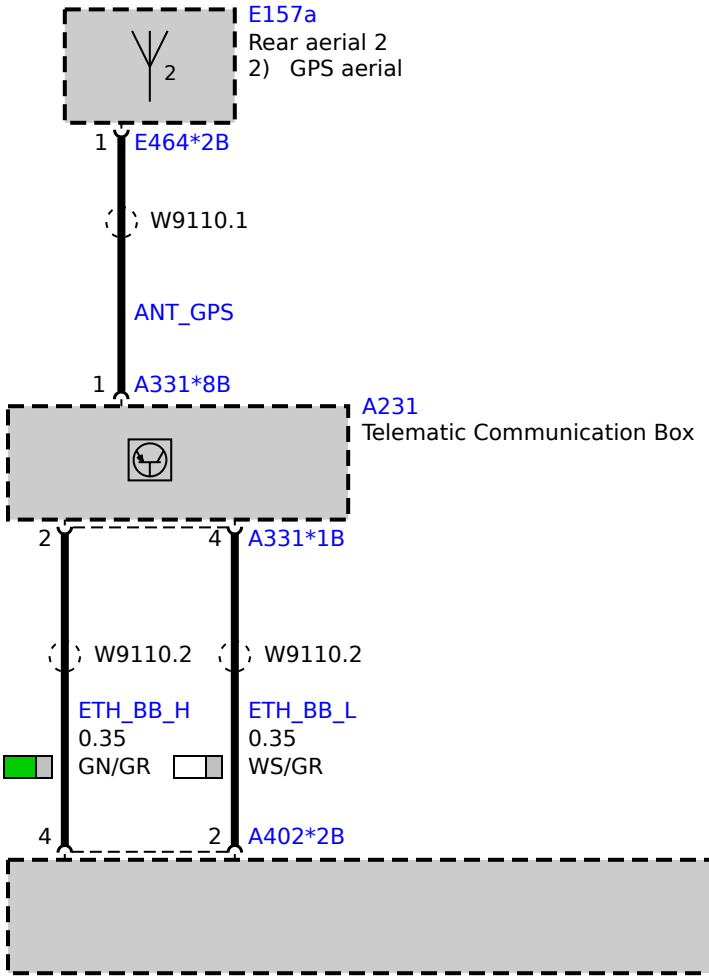
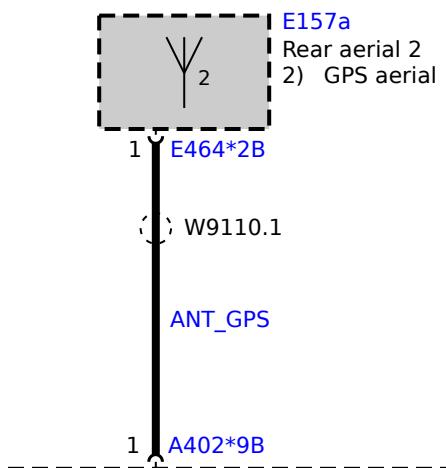




with Teleservices



without Teleservices



Japan  
from 2018\_03

