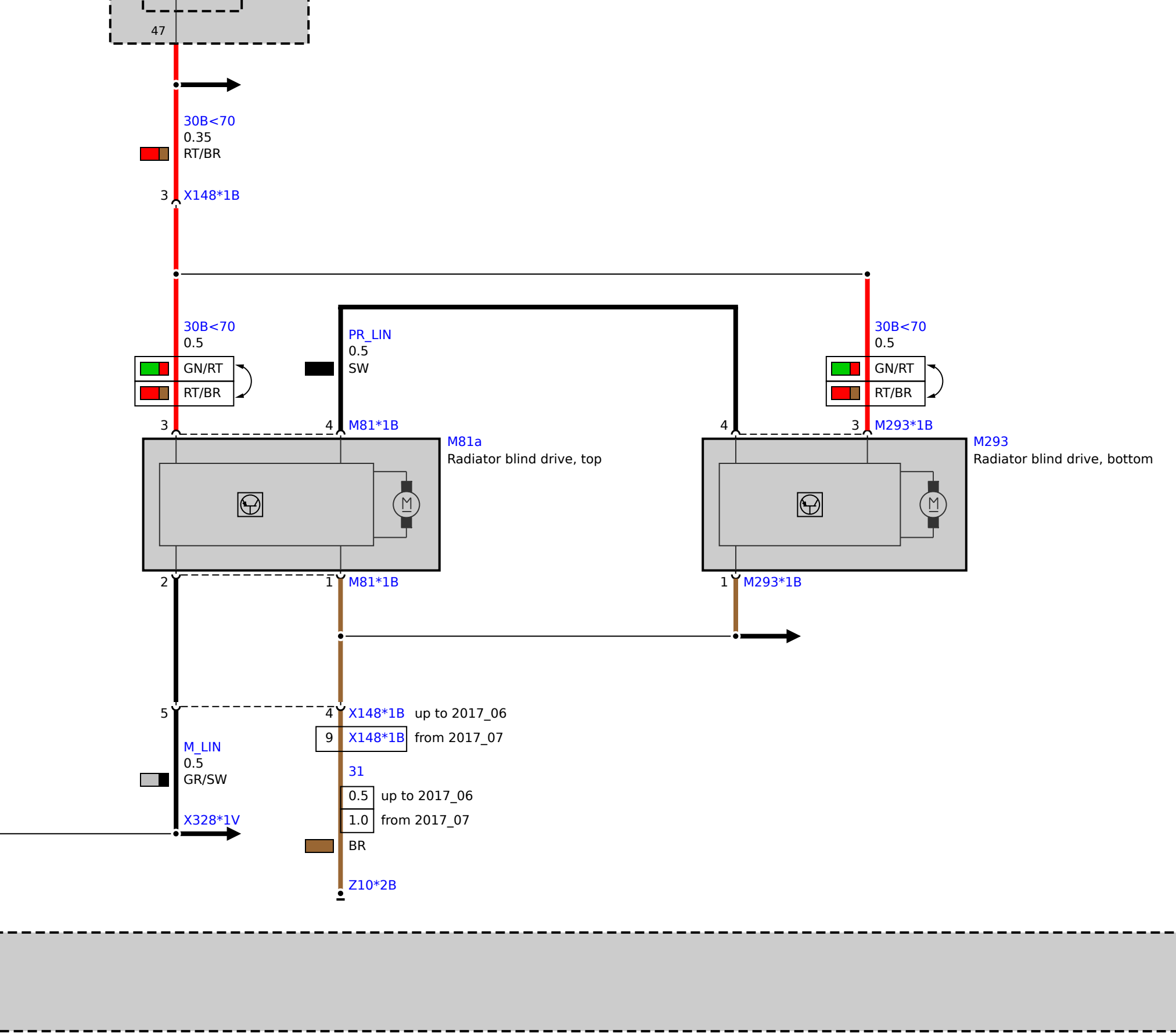
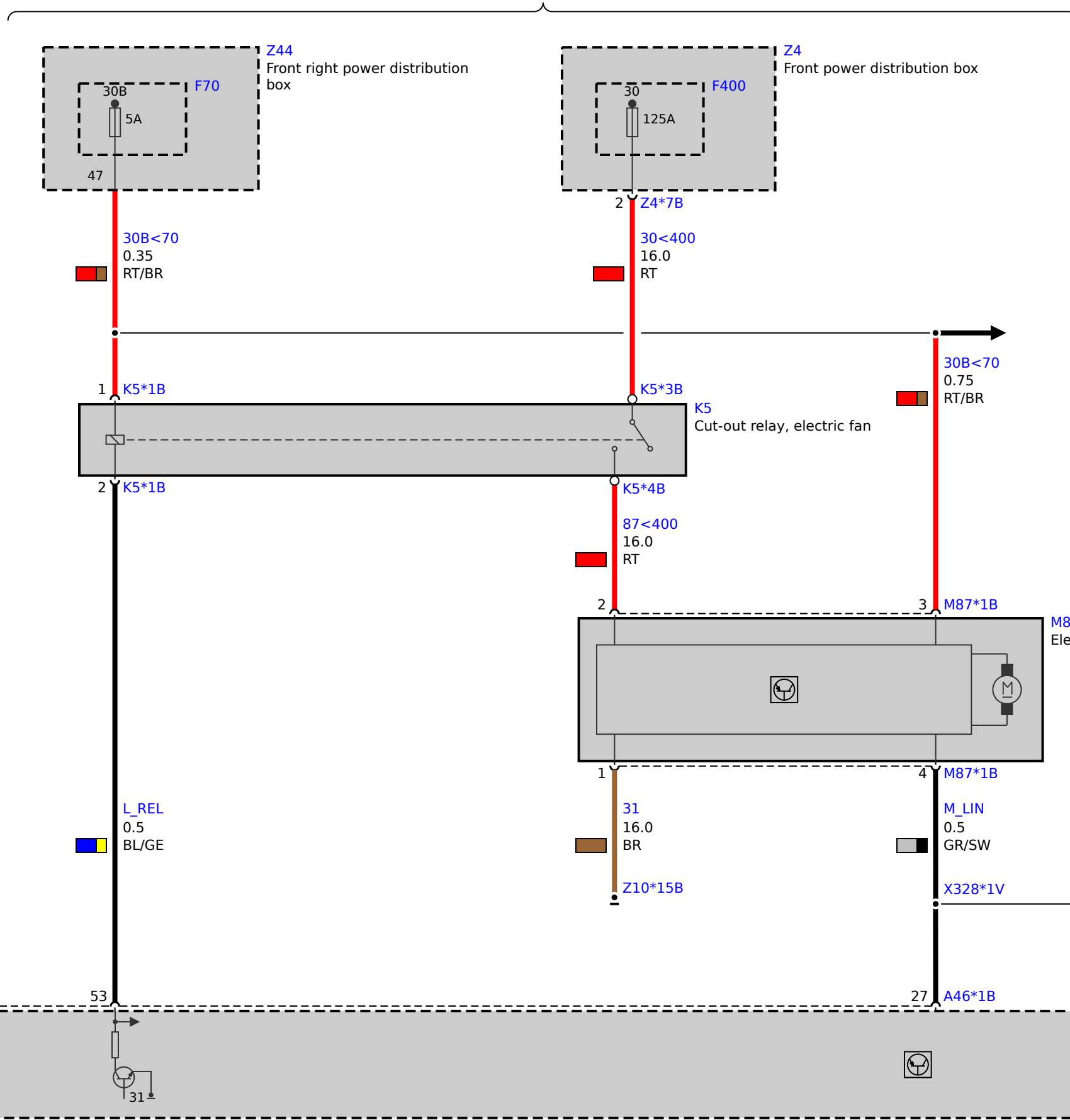
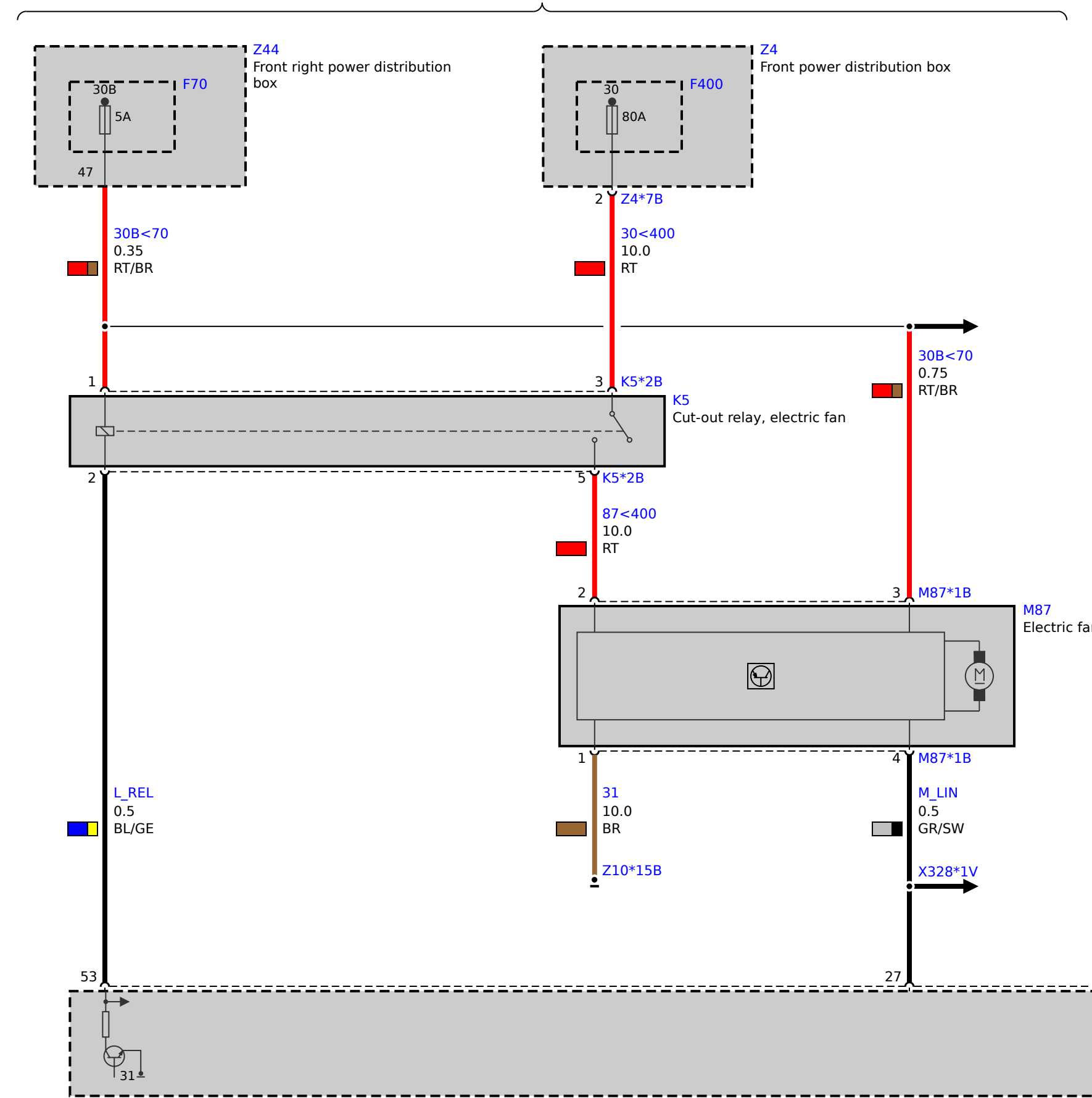




fan 400/600 W

fan 850/1000 W

Z44 Front right power distribution box



B57 engine

