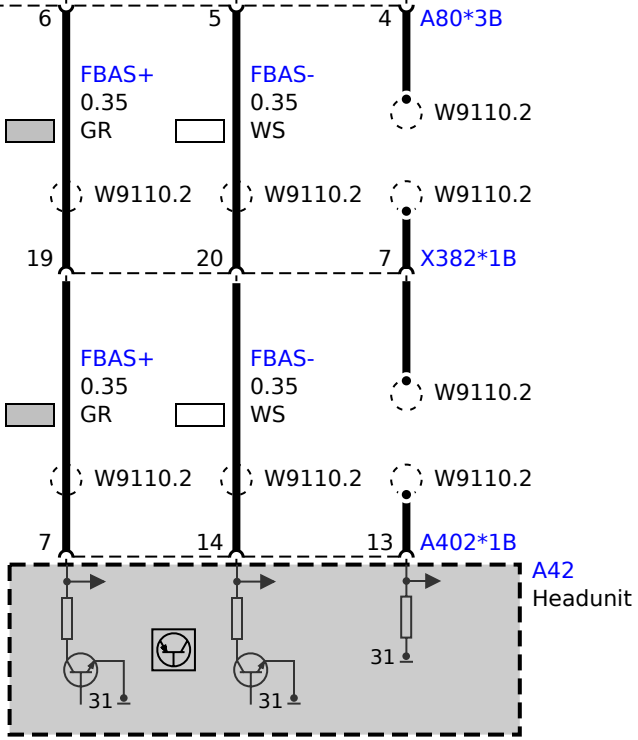
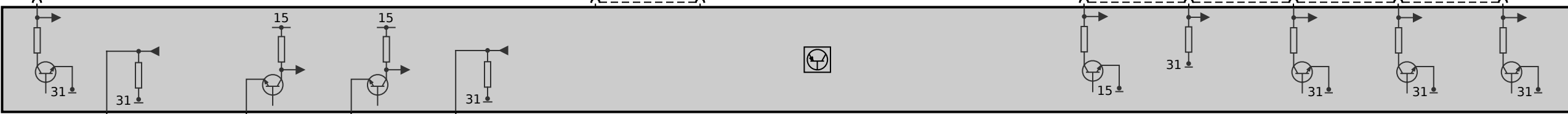
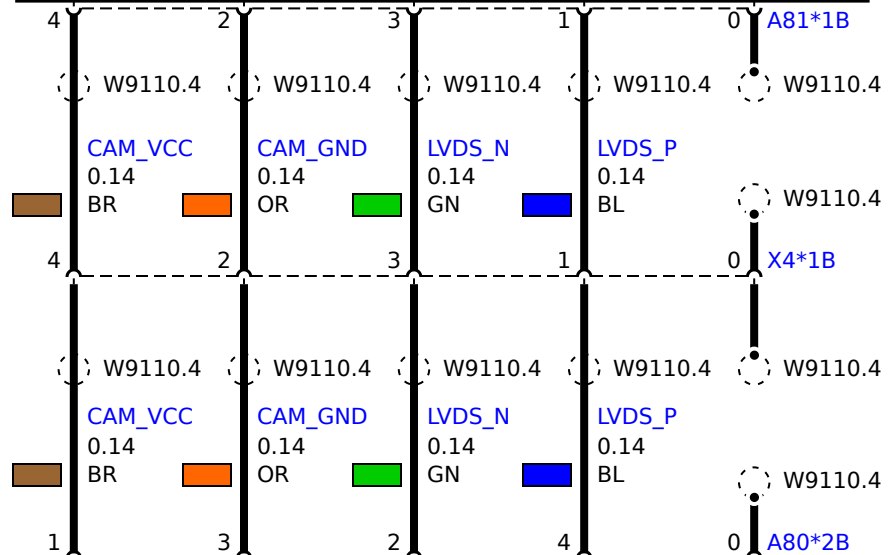


	GE/WS		GE/SW
	GE/GN		SW/GN



**A80**  
Electronic night vision module