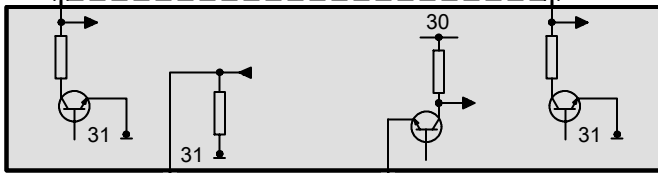
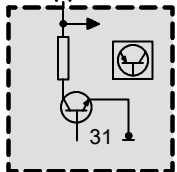
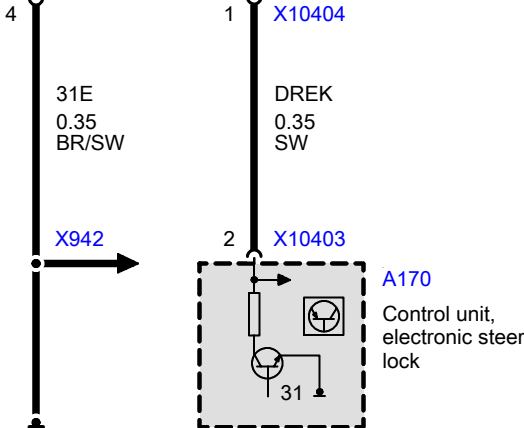


A170
Control unit,
electronic steering
lock



I01122
Turn catch, electronic
steering adjustment



A170
Control unit,
electronic steering
lock