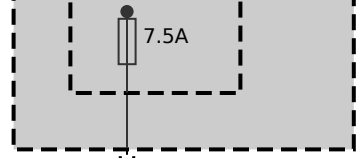


Z13
Power distribution box Life
module



28 Z13*5B
30B<63
0.75
RT/SW

4 X558*4B up to 2014_06
14 X558*2B from 2014_07

6 30B<63 0.5 RT
7 X13*2B 30B<63 0.5 RT

1 8 A270*1B

A270*10B 31_PA 16.0 SW Z6000*6B
A270*11B 31_PA 35.0 SW M262*2B



1 2 E196*1B
W9110.1 W9110.1
HV+ 35.0 OR
HV- 35.0 OR
1 2 A270*2B

up to 2014_06

from 2014_07

31_SEN 0.75 BR
Z6000*3B

14 X13*2B
31_SEN 0.75 BR
Z10*37B

B+ 42.0 RT

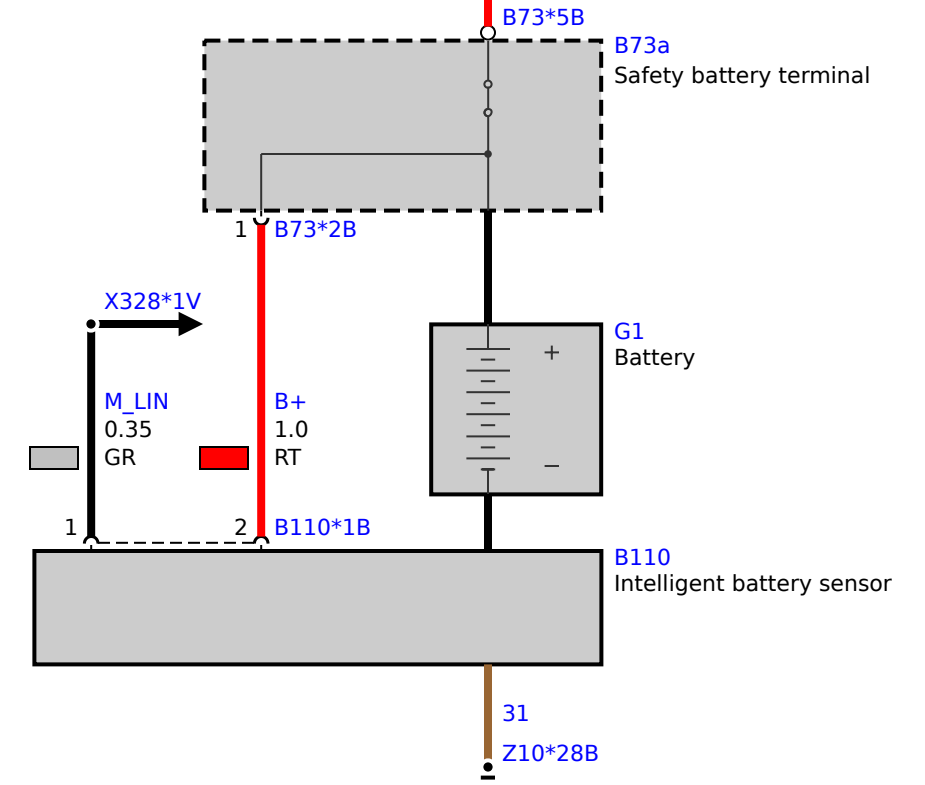
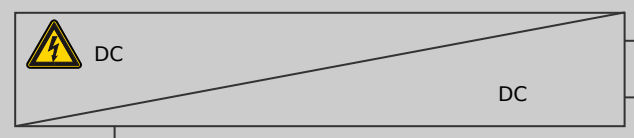
X1*1V

B+ 42.0 RT

A270*30B

31 35.0 SW
Z10*35B

A270
Electrical machine electronics
1) DC/DC converter



X328*1V
M_LIN 0.35 GR

B+ 1.0 RT

B110*1B

G1
Battery

B110
Intelligent battery sensor

31
Z10*28B

B73*5B
B73a
Safety battery terminal