

X861*1V

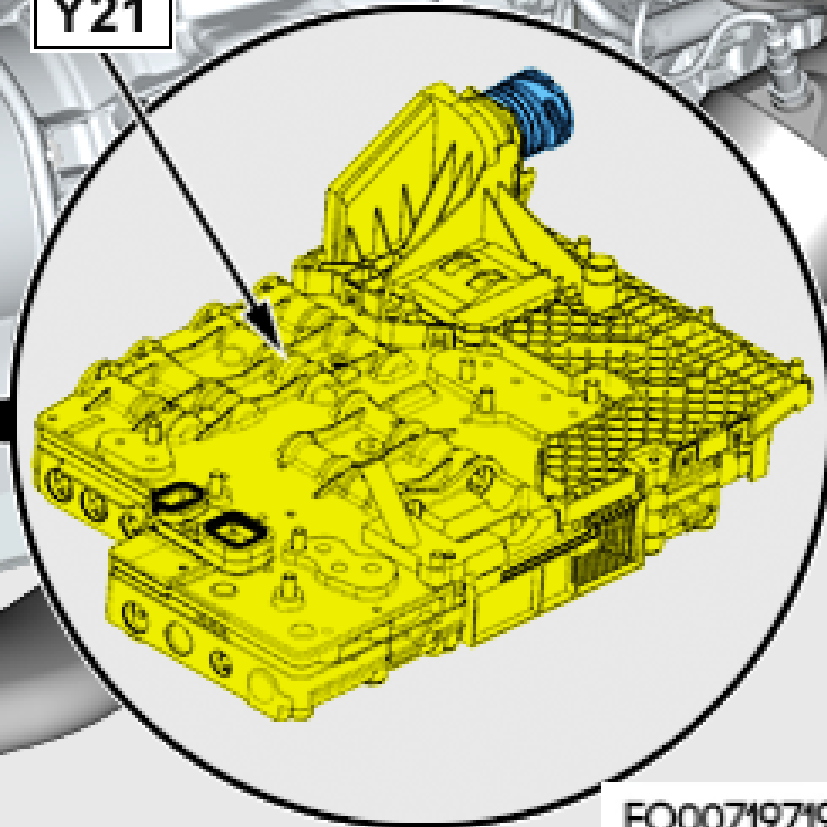
Y21a

X861*2V

X860*1V

X860*2V

Y21



Y21*1B

EO007197190000