

X861\*1V

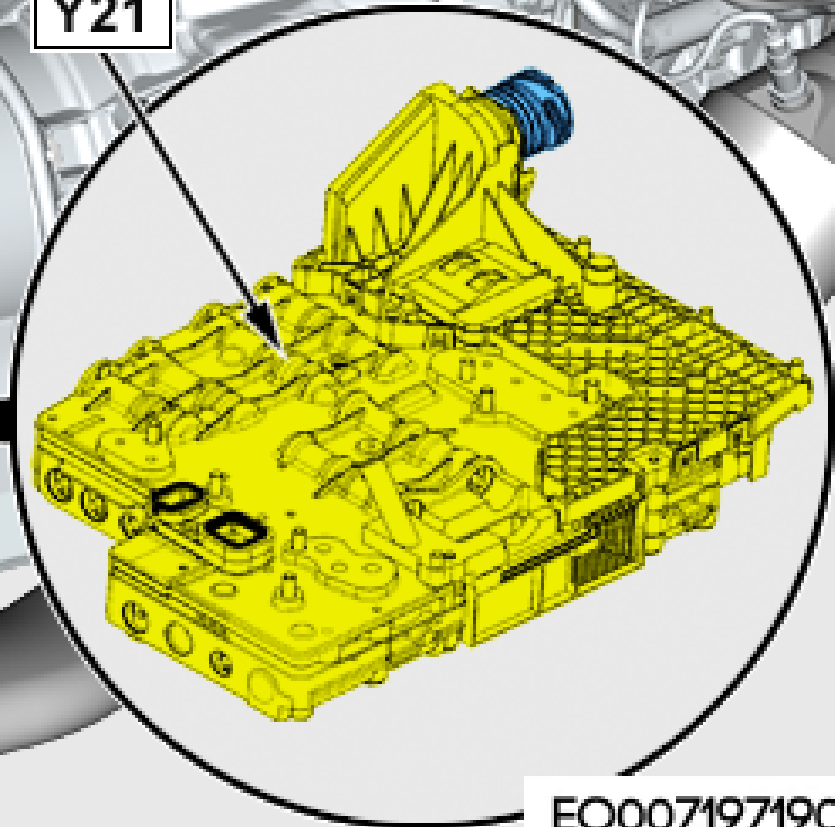
Y21a

X861\*2V

X860\*1V

X860\*2V

Y21



Y21\*1B

EO007197190000