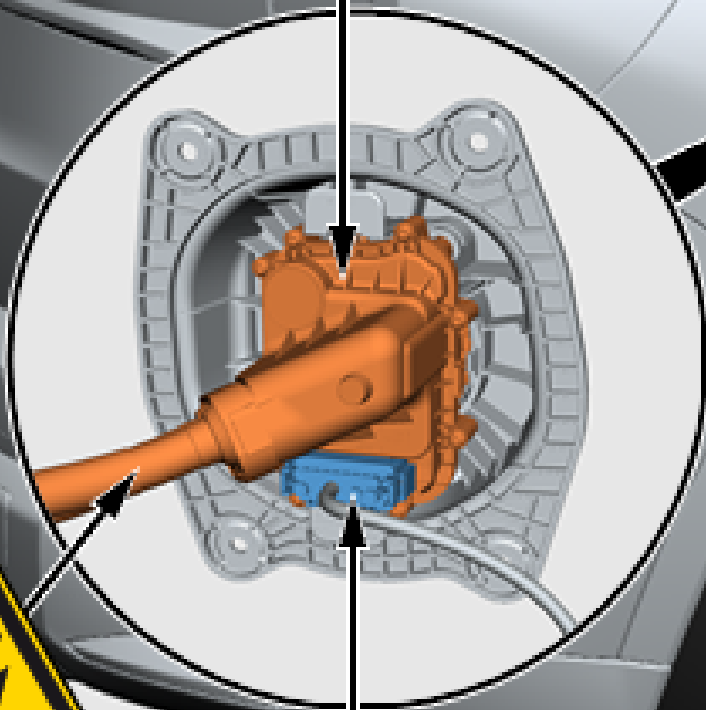
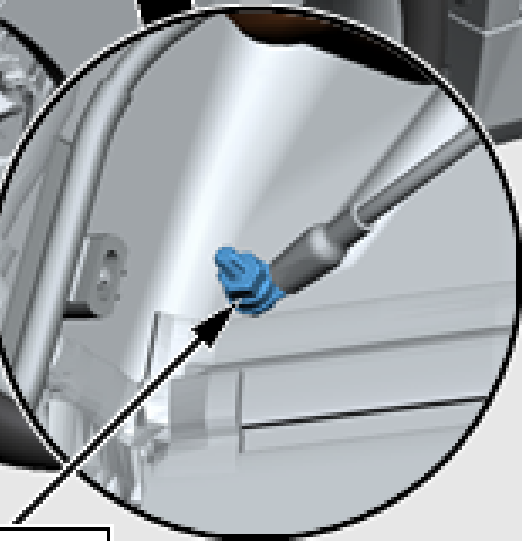


X834



A656*1B



Z10*109B